

theben-eltimo 020 top3

Item no.: 0200130

Time and light control
Digital time switches

Description

- Digital plug-in timer with weekly program
- Programming by app possible
- Safe transfer via optional Bluetooth Low Energy OBELISK top3
- Maximum manipulation security, time switch programs can only be transferred from the app to the time switch when the Bluetooth OBELISK top3 is plugged into the time switch
- Use with earthed sockets
- 1 channel
- Easy operation via keys for program function and day of the week, hours, minutes
- ON-OFF switching times
- Switching preselection
- Permanent switching ON/OFF
- Random program
- Automatic summer/winter time changeover



Technical data

theben-eltimo 020 top3		theben-eltimo 020 top3	
Operating voltage	230 V AC	Installation type	Plug-in
Frequency	50 Hz	Type of contact	NO contact

Subject to technical changes and misprints

additional information at: www.theben.de/product/0200130

The load data are determined with exemplary selected illuminants and are therefore typical data due to the large number of available products.

theben-eltimo 020 top3

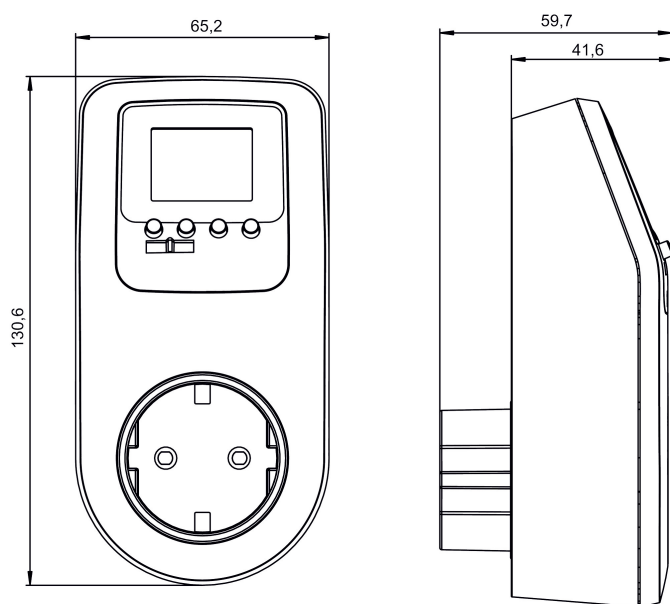
Item no.: 0200130

theben

Technical data

theben-eltimo 020 top3		theben-eltimo 020 top3	
Program	Weekly program	LED lamp > 8 W	300 W
Program functions	EIN-AUS	Shortest switching times	1 min
Number of channels	1	Time accuracy at 25 °C	$\leq \pm 0.25$ s/day (quartz)
Number of memory locations	56	Time basis	Quartz
Power reserve	6 years	Stand-by consumption	~0.9 W
Switching capacity at 250 V AC, $\cos \varphi = 1$	16 A	Type of connection	Plug-in
Switching capacity at 250 V AC, $\cos \varphi = 0,6$	10 A	Display	LCD-Anzeige
Incandescent/halogen lamp load	2600 W	Type of protection	IP 20
LED lamp < 2 W	30 W	Protection class	II for housing, I for plug system as per EN 62 730-1
LED lamp 2-8 W	300 W	Ambient temperature	-10°C ... 40°C

Scale drawings



Accessories

PC set OBELISK top2/3
Item no.: 9070409



Memory card OBELISK top2
Item no.: 9070404



Bluetooth OBELISK top3
Item no.: 9070130



Subject to technical changes and misprints

additional information at: www.theben.de/product/0200130

The load data are determined with exemplary selected illuminants and are therefore typical data due to the large number of available products.